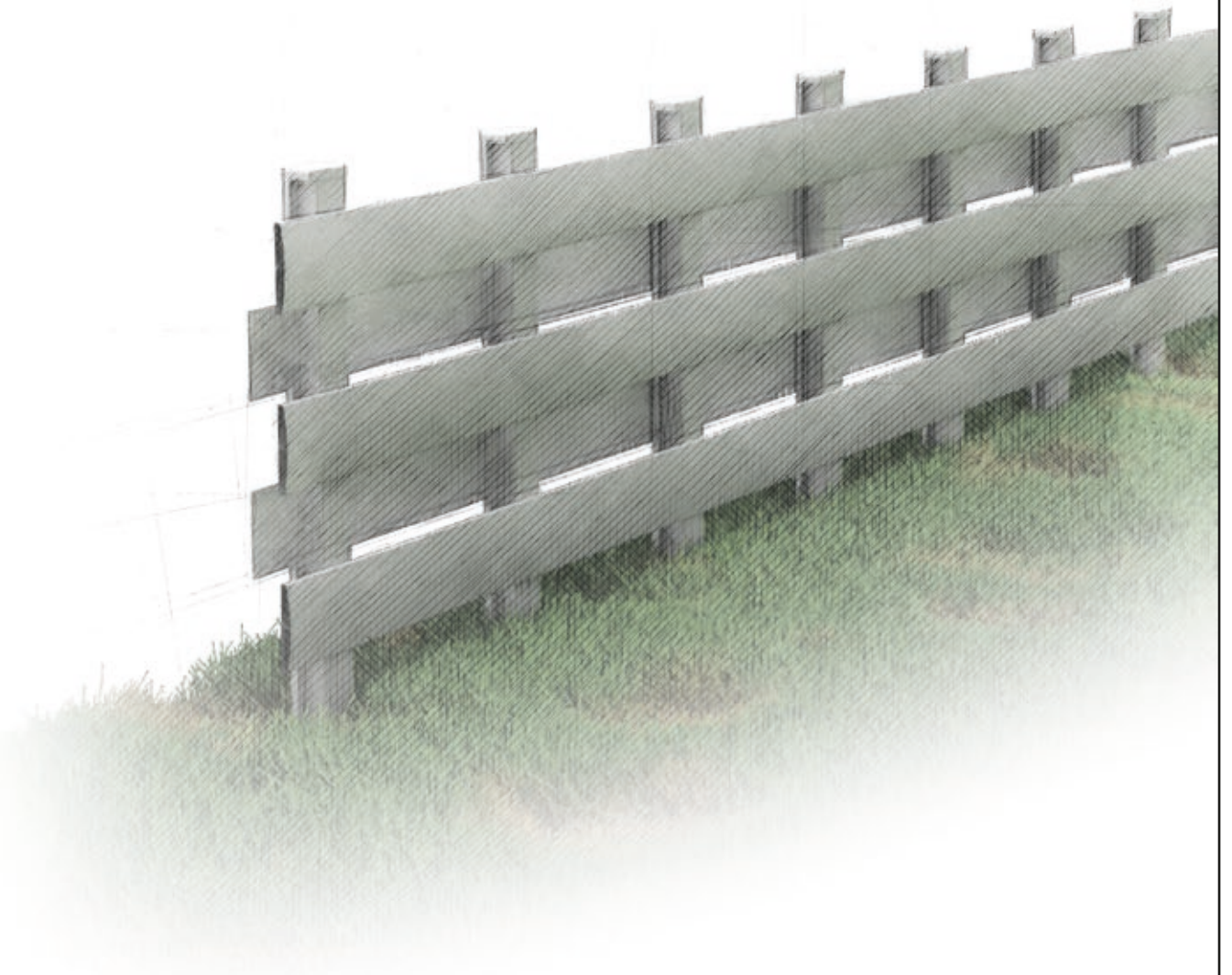



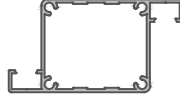
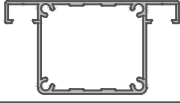


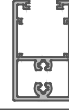




SARAY®

all about **aluminium**





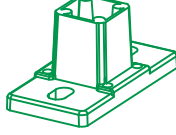
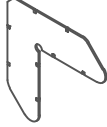

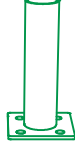
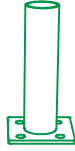
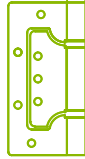

Aluminium fences harmonizing
security with aesthetic

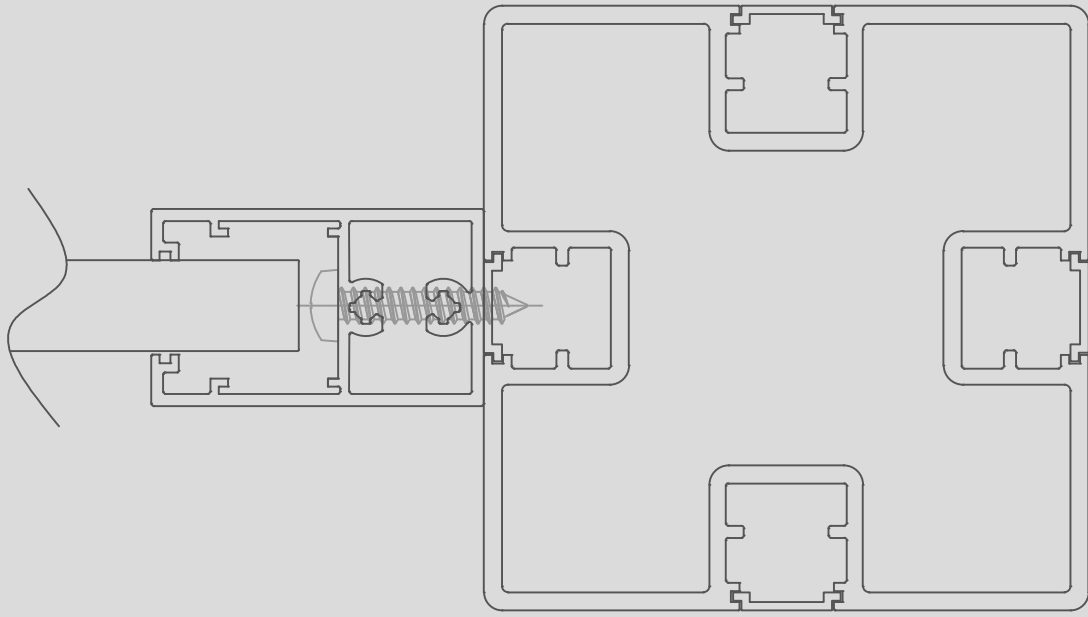
SF 100 PROFİL LİSTESİ
SF 100 PROFILES INDEX

PROFİL NUM. PROFILE NO.	TANIM DESCRIPTION	ÇİZİM DRAWING	SAYFA PAGE
19185	BÜYÜK DİKME PROFİLİ FENCE POST PROFILE		10
18993	Z DİKME PROFİLİ Z FENCE POST PROFILE		10
18994	T DİKME PROFİLİ T FENCE POST PROFILE		10
18995	15x120 MM LAMEL PROFİL 15x120 MM PARTITION SIDING FENCE PROFILE		11
18996	OVAL LAMEL PROFİLİ ELLIPTIC WALL FLANGE PROFILE		11
19186	KANAT PROFİLİ SASH PROFILE		11
19187	KAPI ADAPTÖR PROFİLİ DOOR ADAPTOR PROFILE		11
18998	ADAPTÖR PROFİLİ ADAPTOR PROFILE		11
18997	KAPAK PROFİLİ COVER PROFILE		11
18999	ÇITA PROFİLİ BEAD PROFILE		11

SF 100 AKSESUARLARI

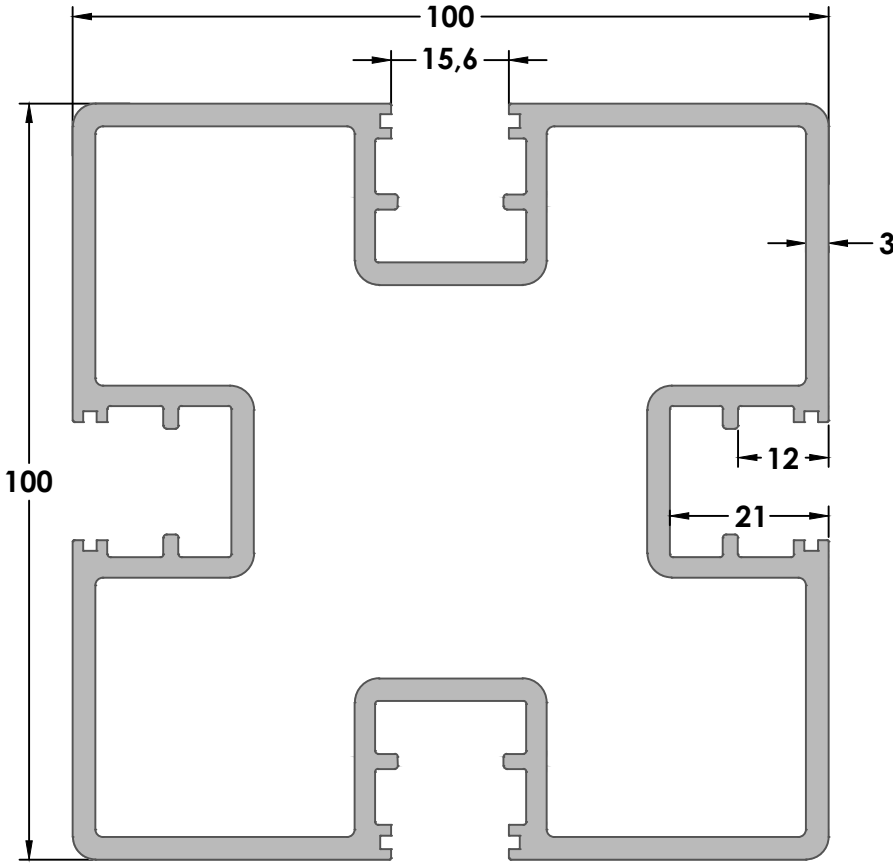
SF 100 ACCESSORIES

AKSESUAR KODU ACCESSORY CODE	MALZEME TANIMI DESCRIPTION	ÇİZİM DRAWING	MALZEME MATERIAL
SF A 001	DİKME PROFİL KAPAĞI / MULLION PROFILE CAP		PVC PVC
SF A 002	DİKME PROFİL KAPAĞI (100'LÜK)/ MULLION PROFILE CAP		ZAMAK DIE CAST ZAMAK
SF ANK 01	KÜÇÜK DİKME ANKRAJ/ ANCHOR		ZAMAK DIE CAST ZAMAK
SC 040	94 SERİ GENİŞ KÖŞE ONBAŞI / CORNER JOINT KOLİ MİKTARI / PACKAGE QUANTITY: 500 ad		ALÜMİNYUM ALUMINIUM
EPİL 04-02	BİNİ FİTİLİ / STEP GASKET KOLİ MİKTARI / PACKAGE QUANTITY: 100 m		EPDM EPDM
SF ANK 02	BÜYÜK DİKME ANKRAJ (200 MM)/ ANCHOR (200 MM)		ÇELİK STEEL
SF ANK 03	BÜYÜK DİKME ANKRAJ (500 MM)/ ANCHOR (500 MM)		ÇELİK STEEL
SC-960-0	KELEBEK MENTEŞE / HINGE KOLİ MİKTARI / PACKAGE QUANTITY:10 ad		ALÜMİNYUM ALUMINIUM
SC-960-1	KELEBEK MENTEŞE / HINGE KOLİ MİKTARI / PACKAGE QUANTITY:10 ad		ALÜMİNYUM ALUMINIUM

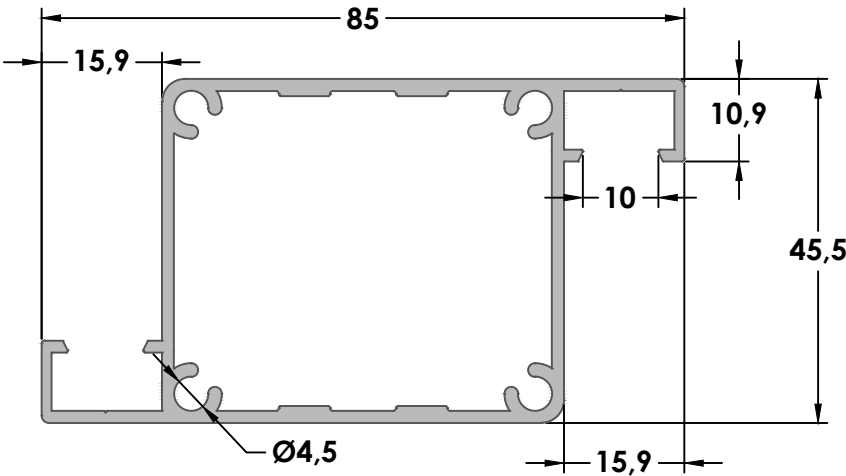


SF 100 PROFİLLERİ

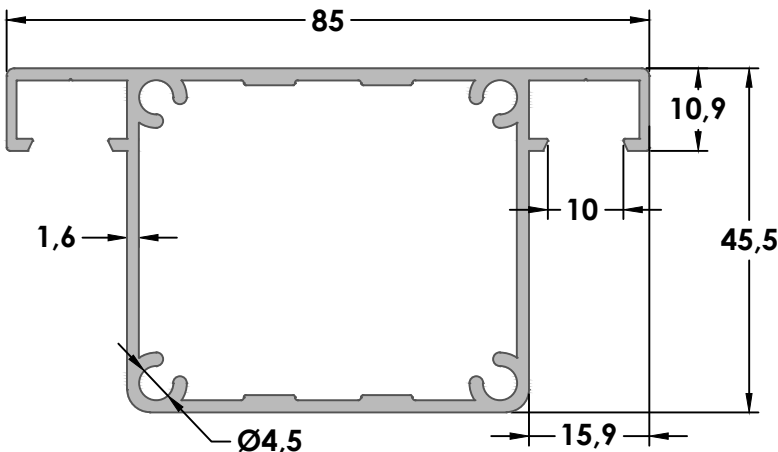
SF 100 PROFILES



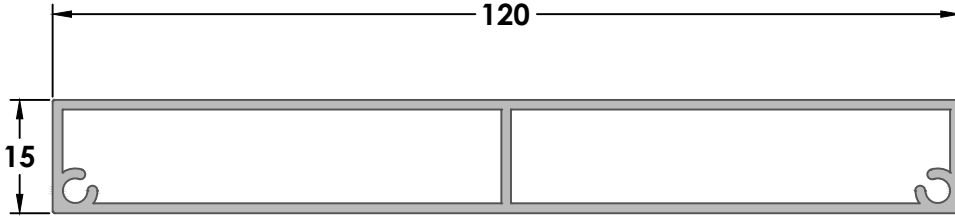
19185		
JX (cm ⁴)	$\begin{array}{c} y \\ \\ x \end{array}$	JY (cm ⁴)
205,75		205,75
AĞIRLIK / WEIGHT (KG/M)		
4,615		



18993		
JX (cm ⁴)	$\begin{array}{c} y \\ \\ x \end{array}$	JY (cm ⁴)
13,08		29,98
AĞIRLIK / WEIGHT (KG/M)		
1,245		

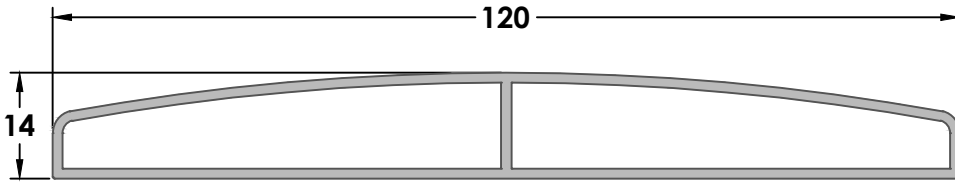


18994		
JX (cm ⁴)	$\begin{array}{c} y \\ \\ x \end{array}$	JY (cm ⁴)
13,08		29,98
AĞIRLIK / WEIGHT (KG/M)		
1,245		



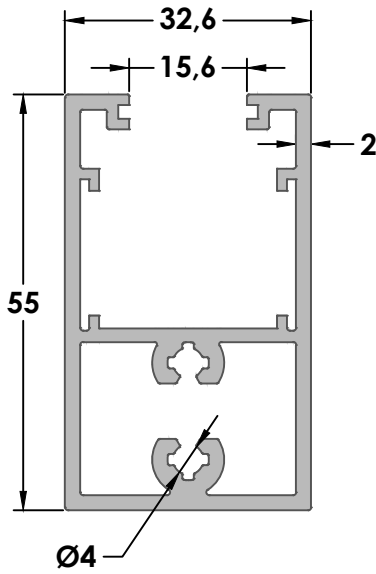
18995

AĞIRLIK / WEIGHT
(KG/M)
1,015



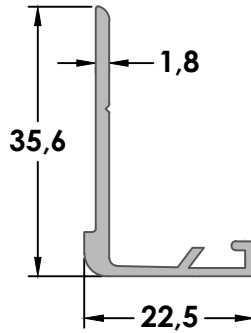
18996

AĞIRLIK / WEIGHT
(KG/M)
0,930



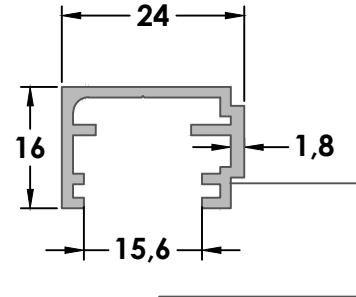
19186

JX (cm ⁴)	JY (cm ⁴)
13,87	6,60
AĞIRLIK / WEIGHT (KG/M) 1,230	



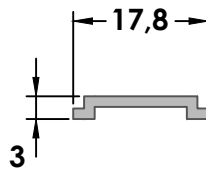
19187

AĞIRLIK / WEIGHT
(KG/M)
0,285



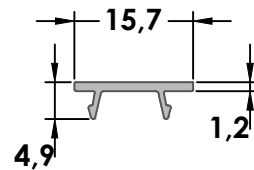
18998

AĞIRLIK / WEIGHT
(KG/M)
0,285



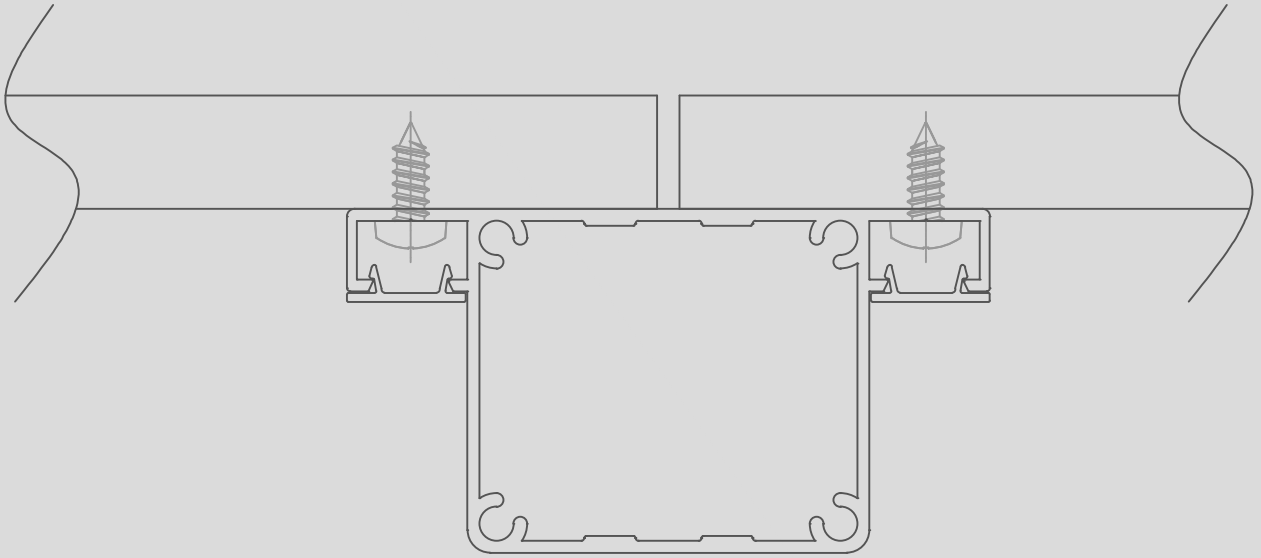
18997

AĞIRLIK / WEIGHT
(KG/M)
0,080



18999

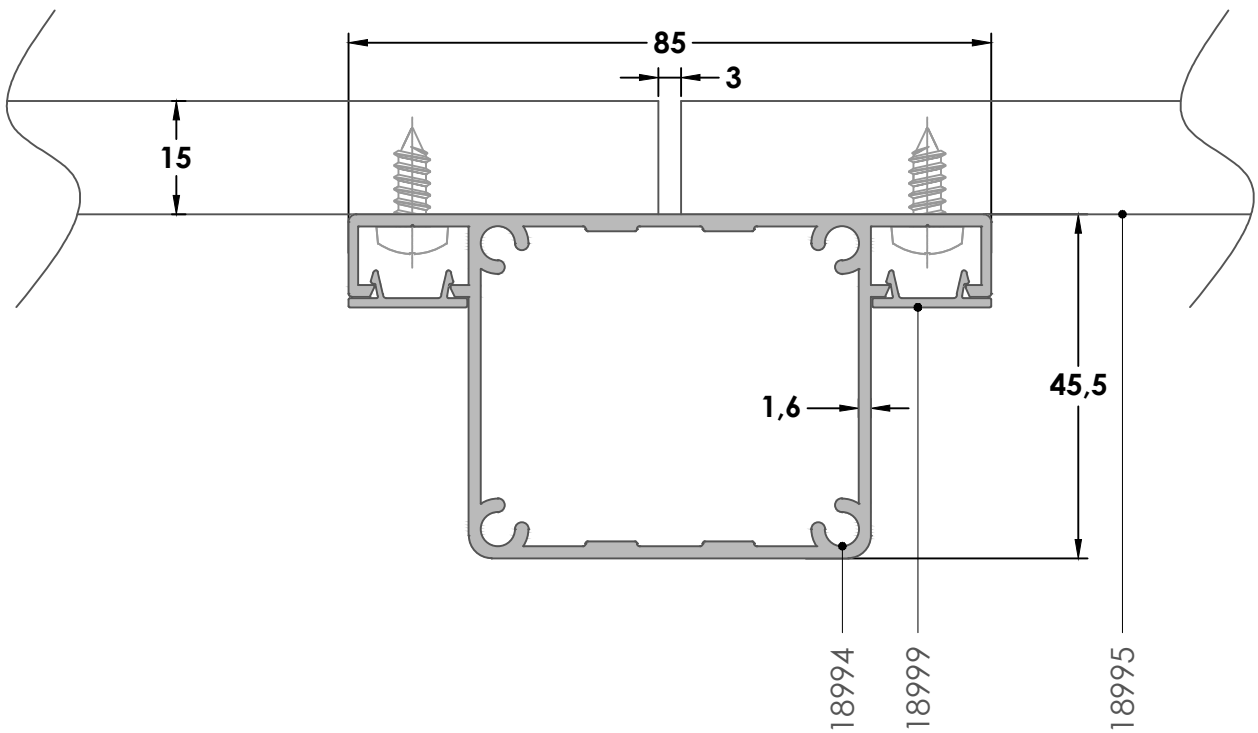
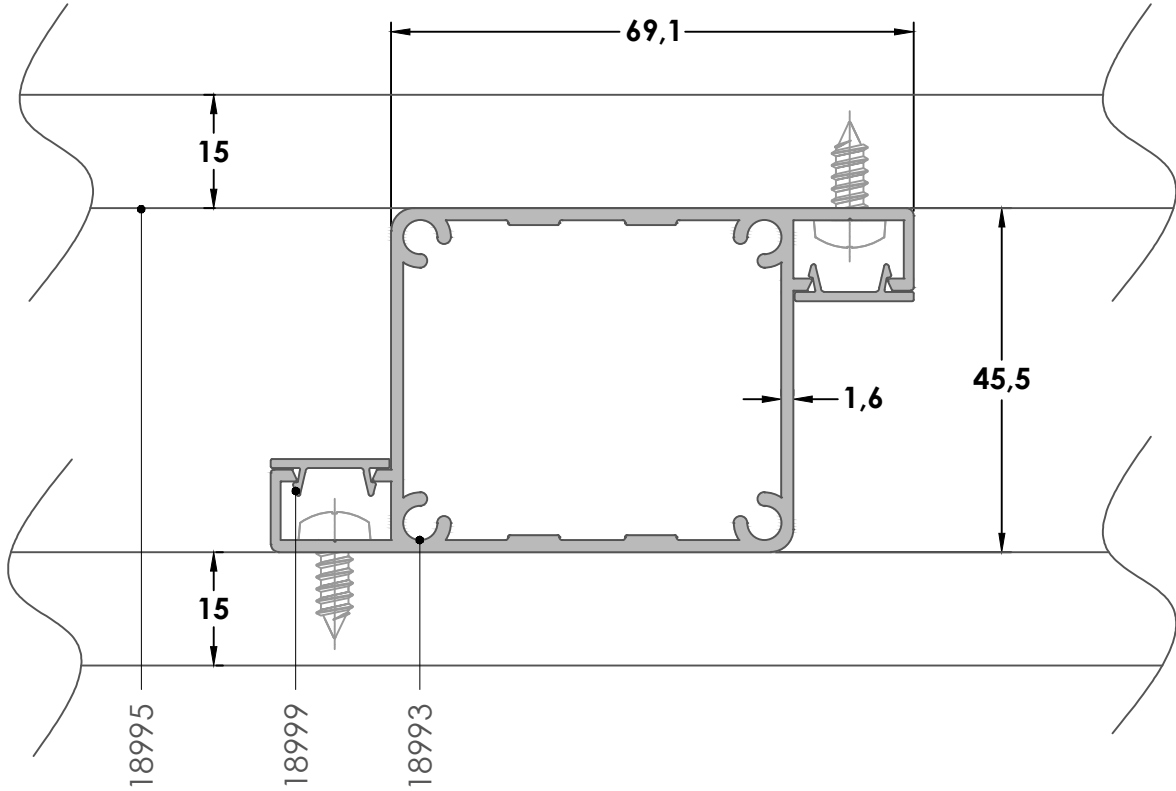
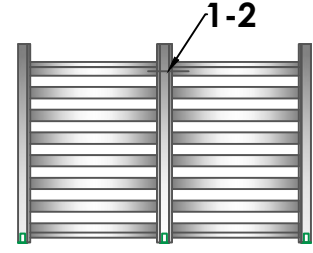
AĞIRLIK / WEIGHT
(KG/M)
0,070



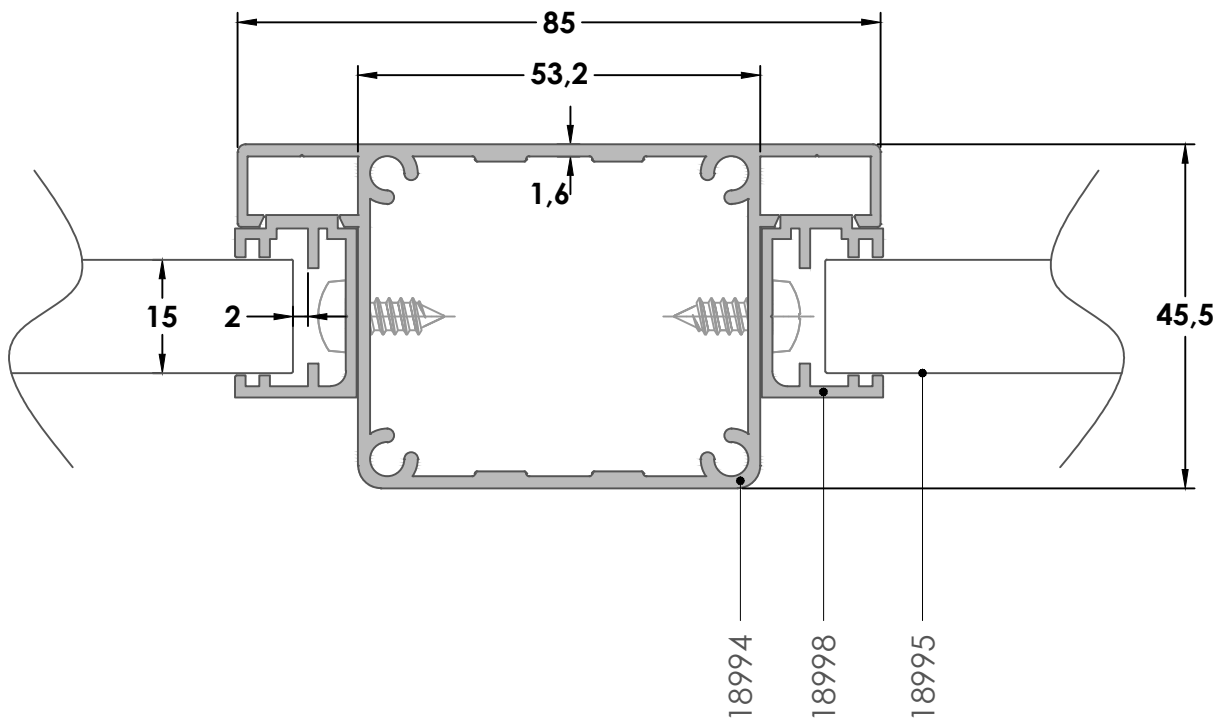
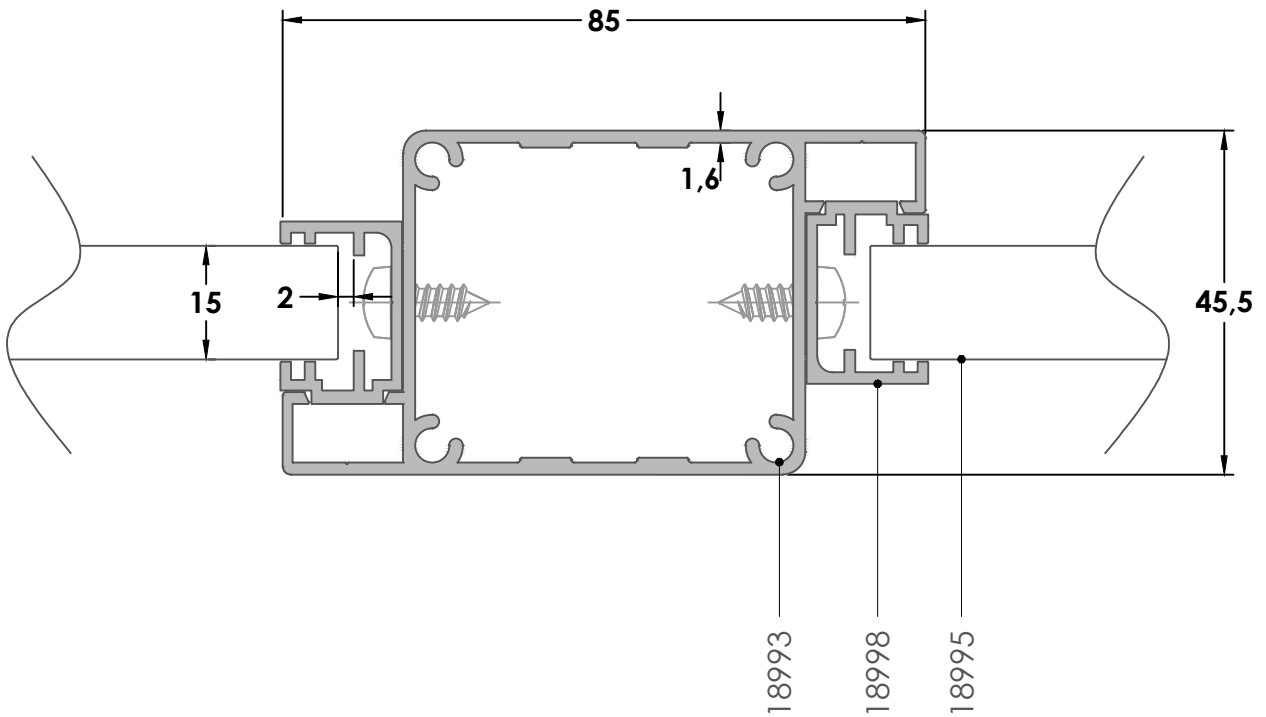
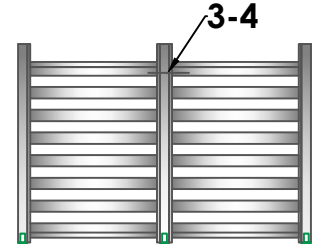
SF 100 DETAYLARI

SF 100 DETAILS

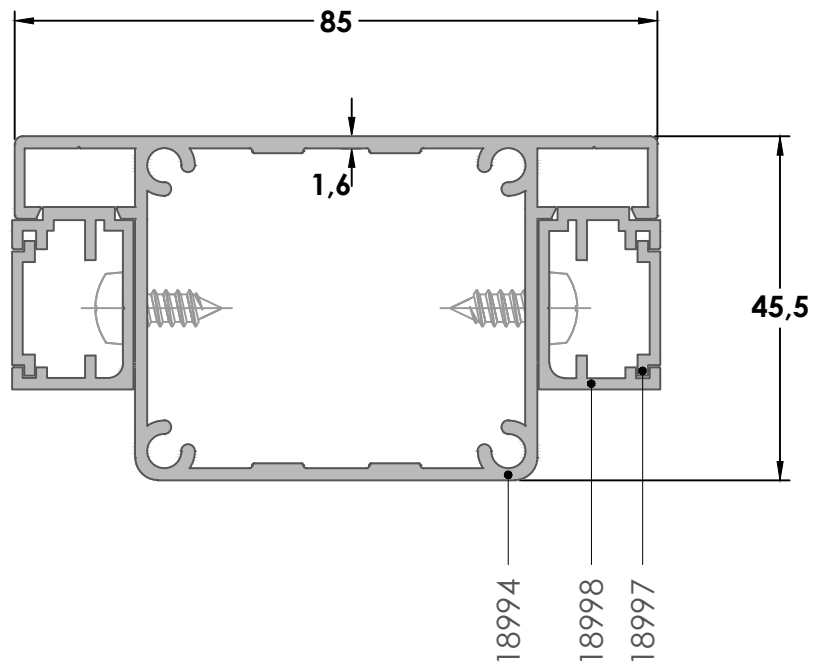
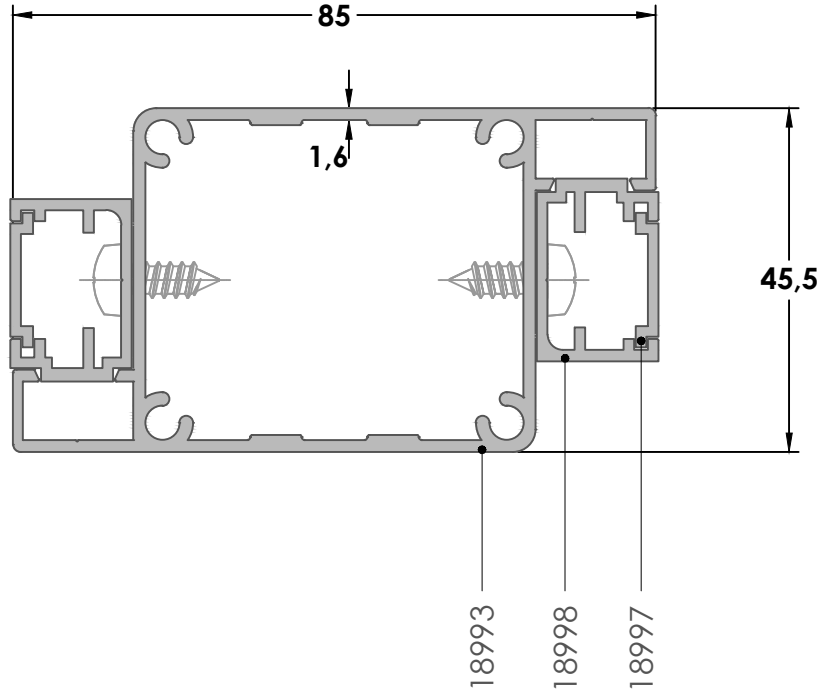
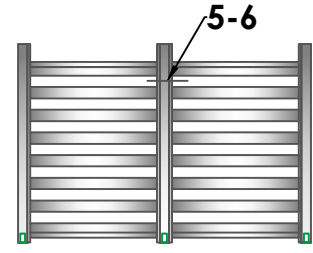
1-2
Detay-Detail



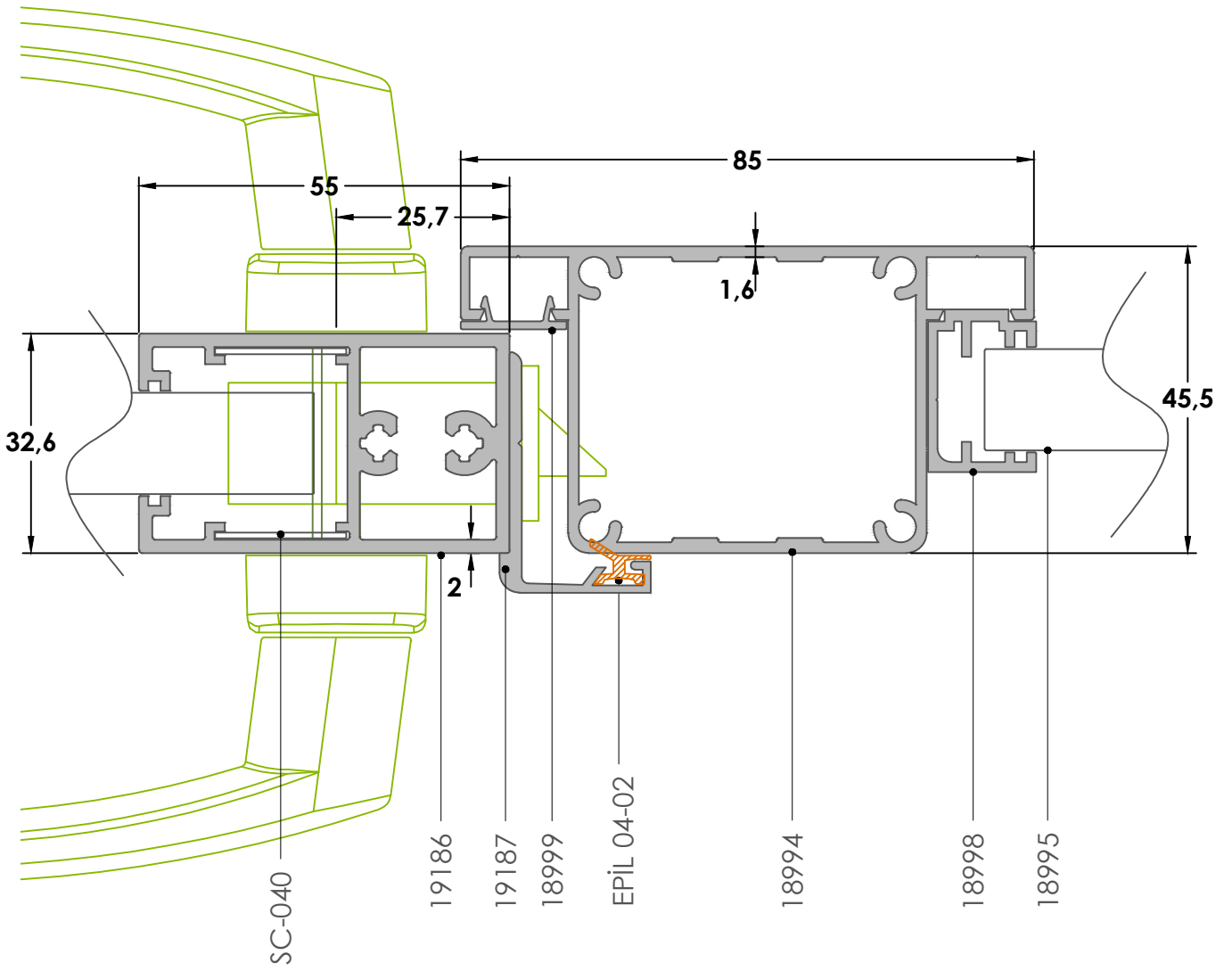
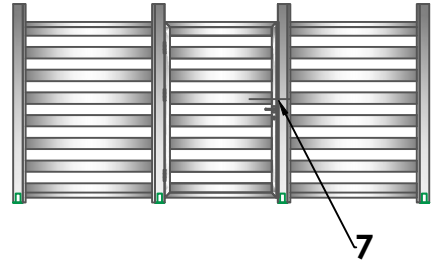
3-4
Detay-Detail



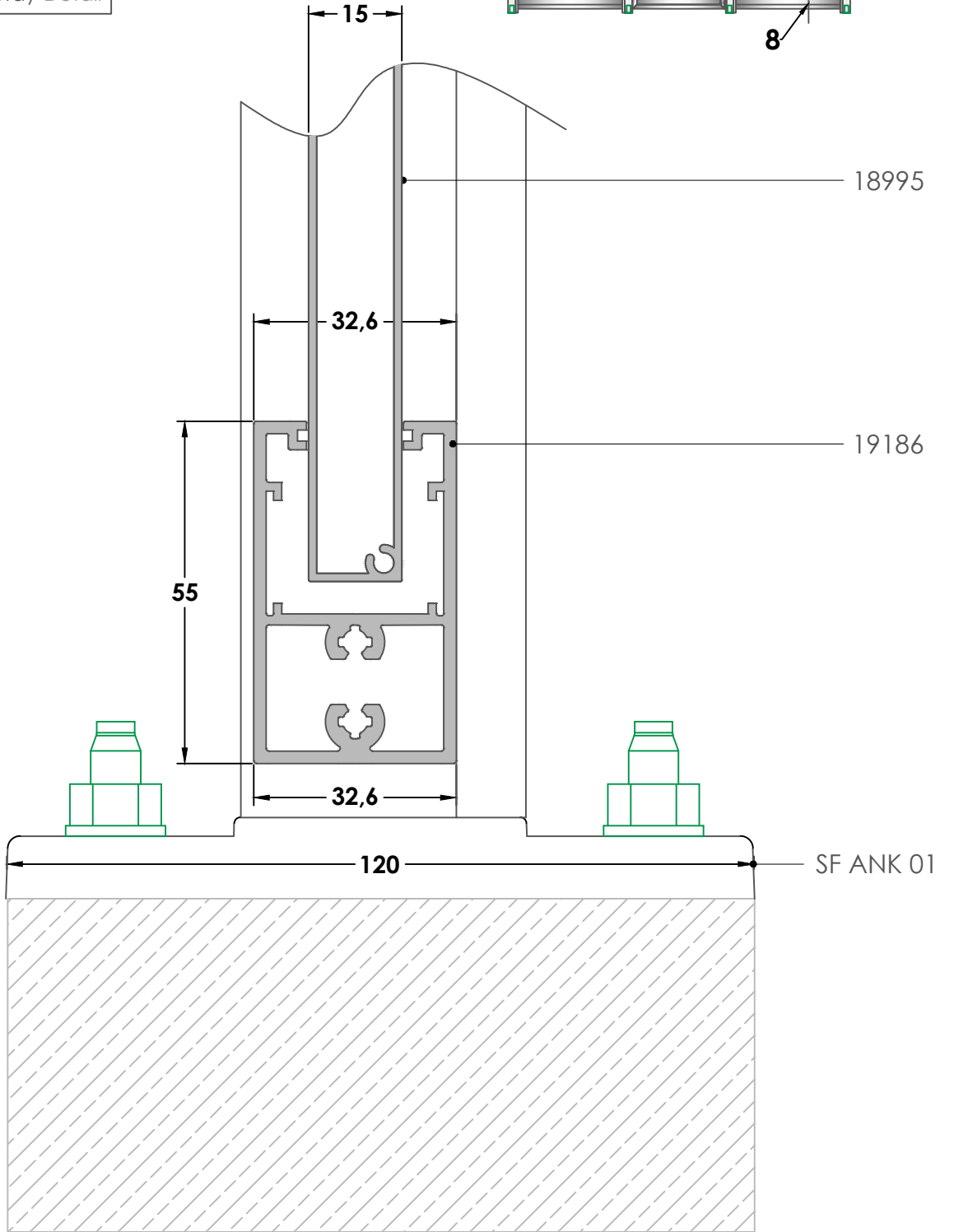
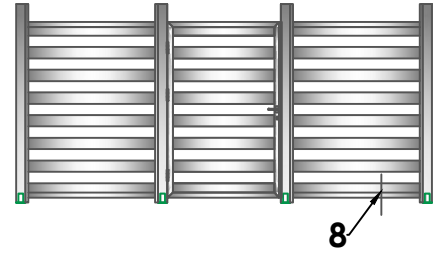
5-6
Detay-Detail

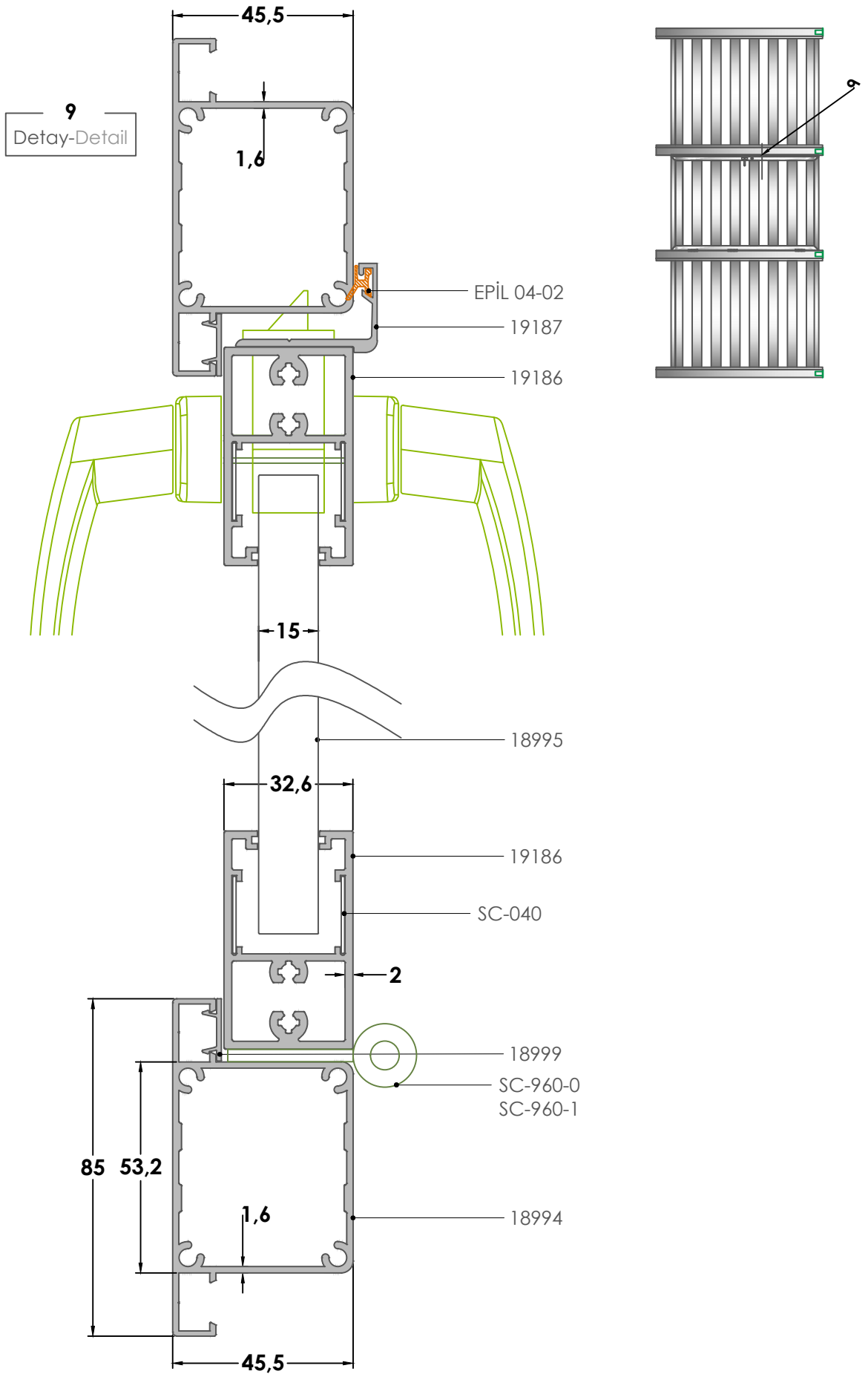


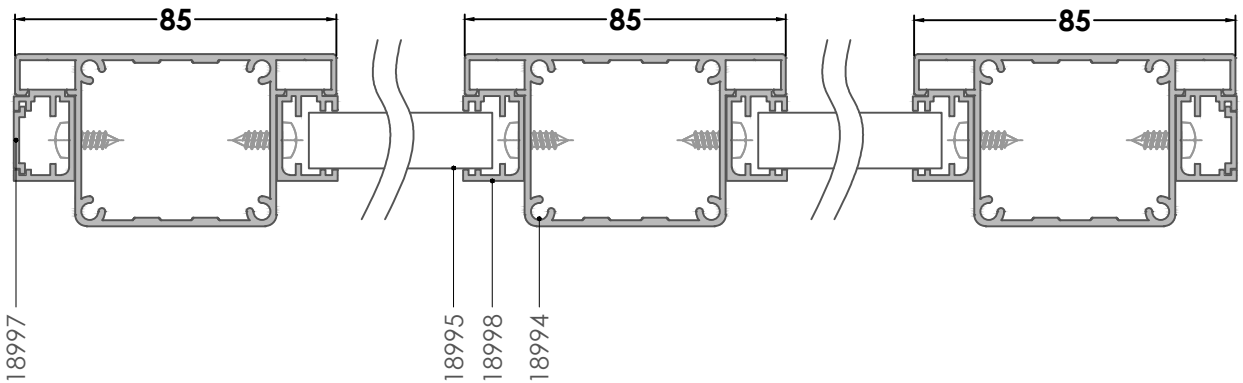
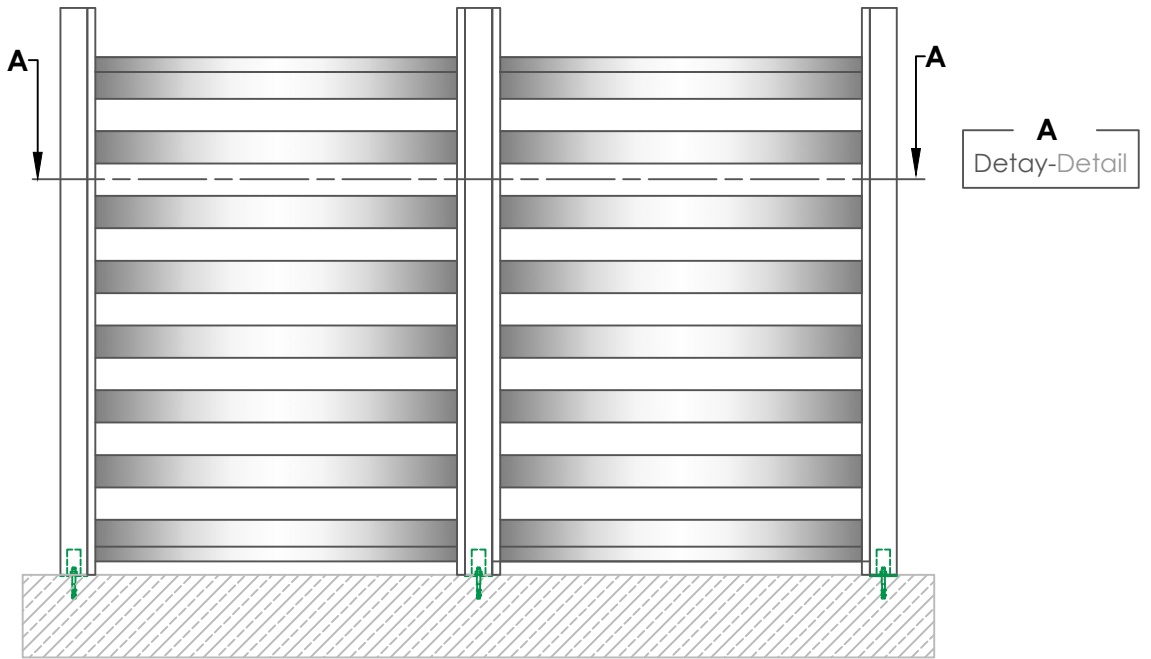
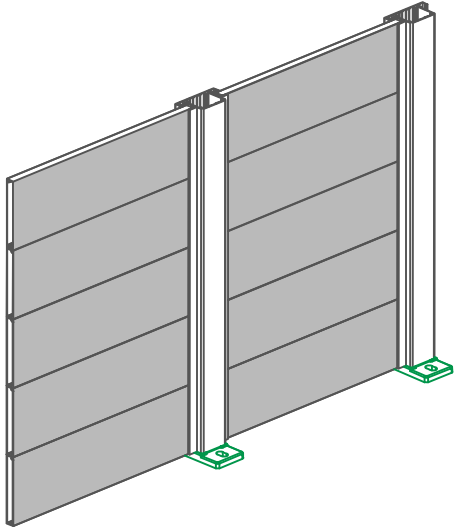
7
Detay-Detail



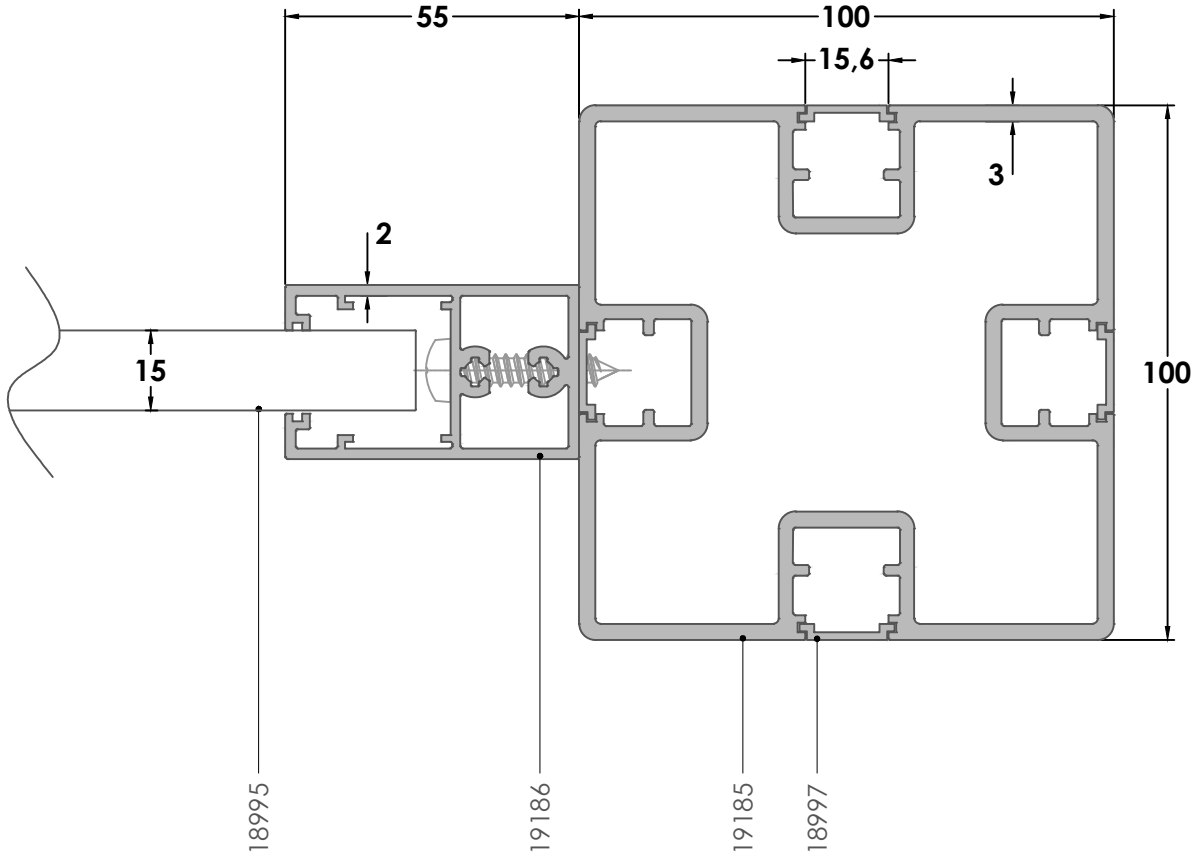
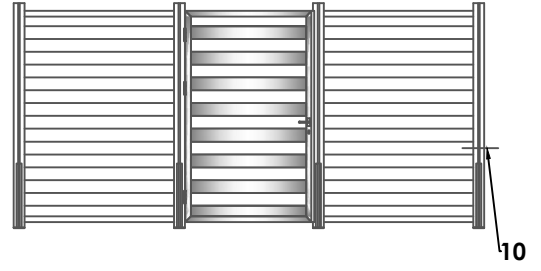
8
Detay-Detail



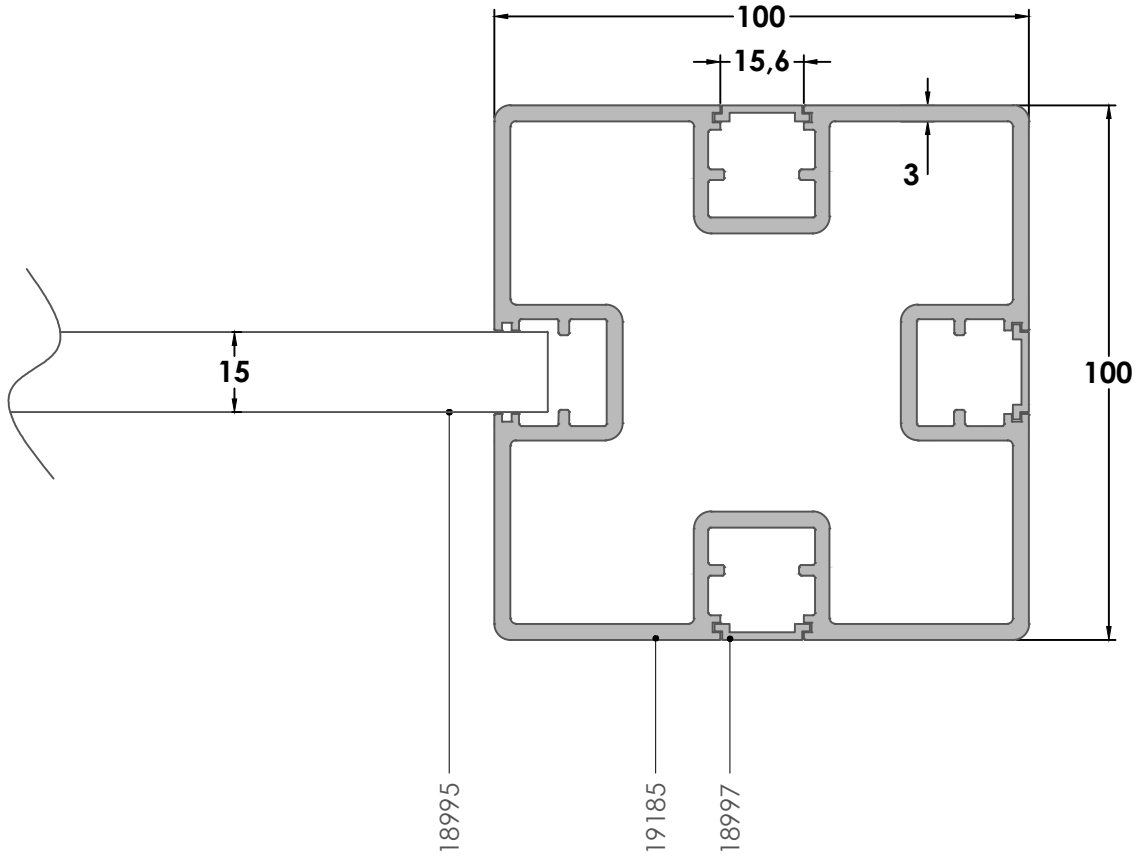
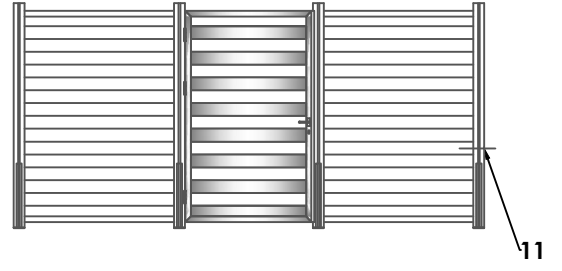




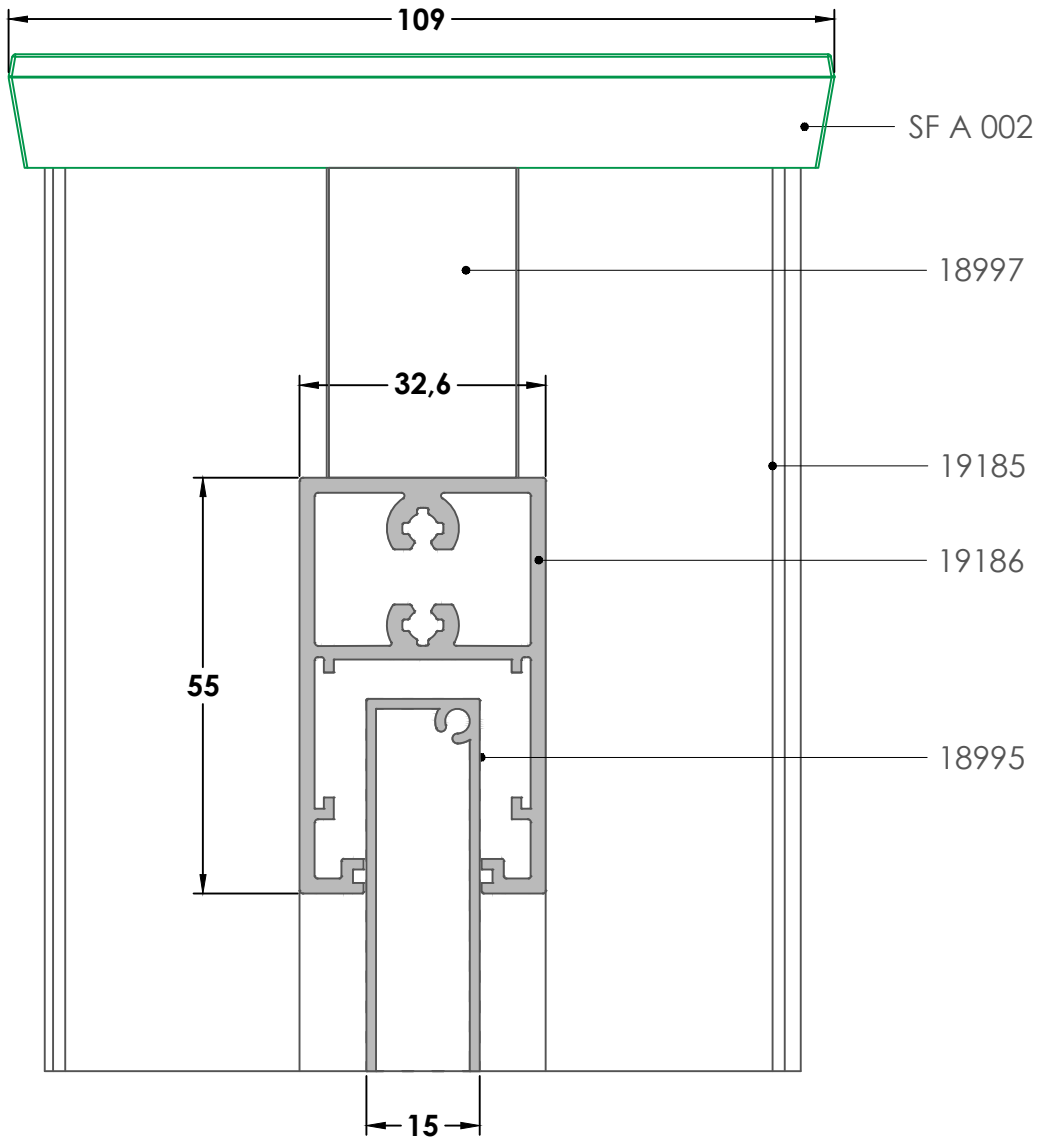
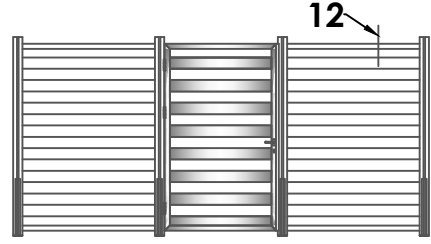
10
Detay-Detail



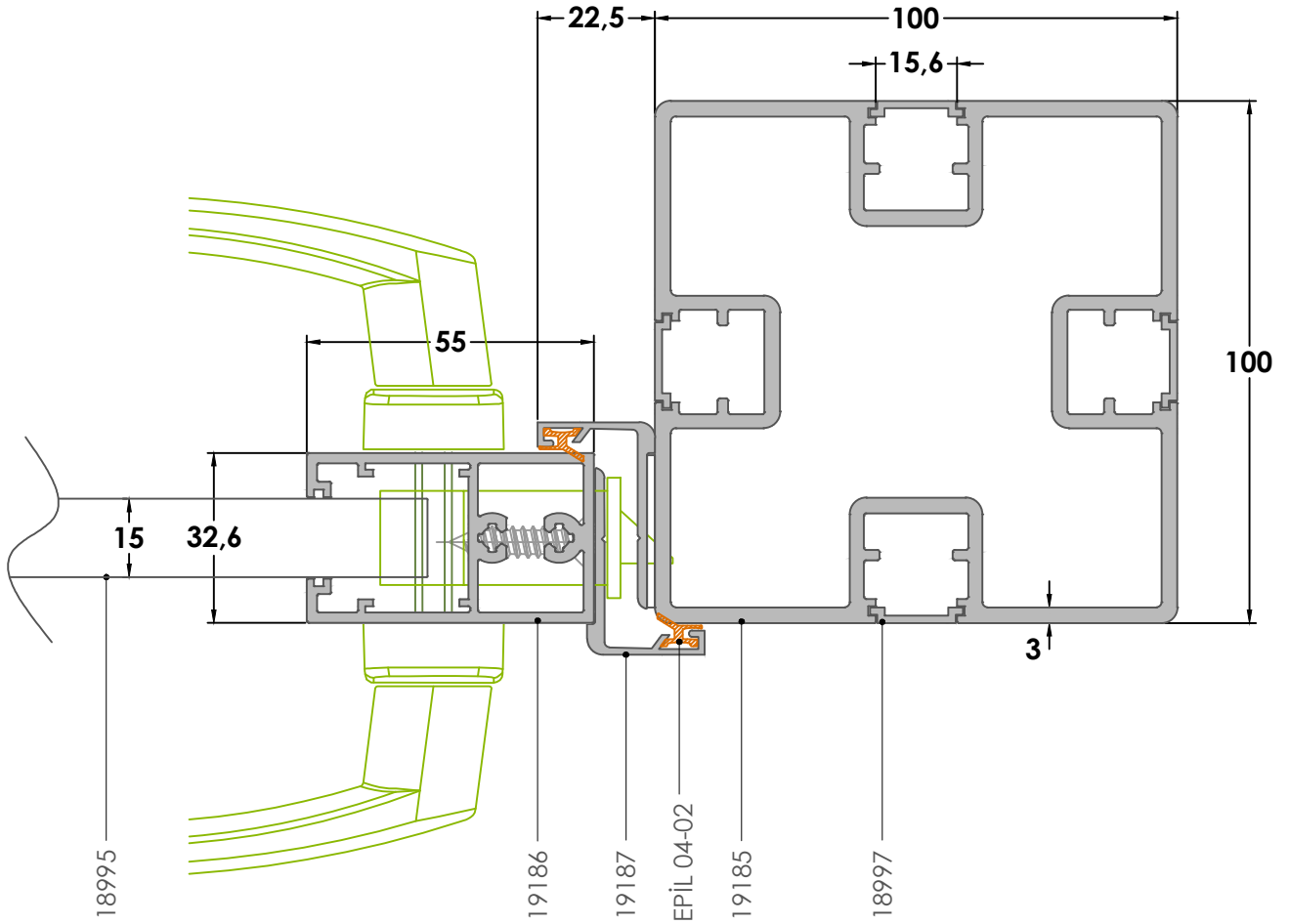
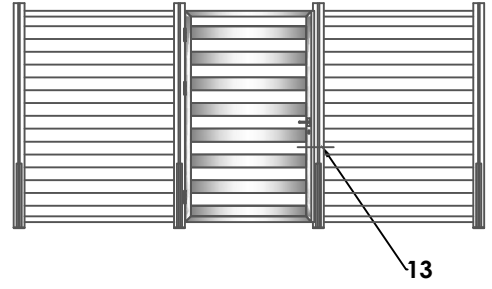
11
Detay-Detail

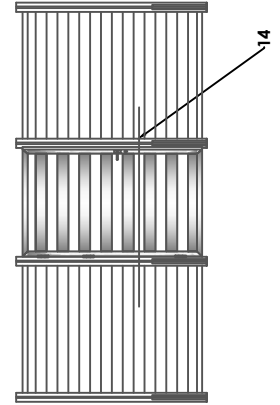
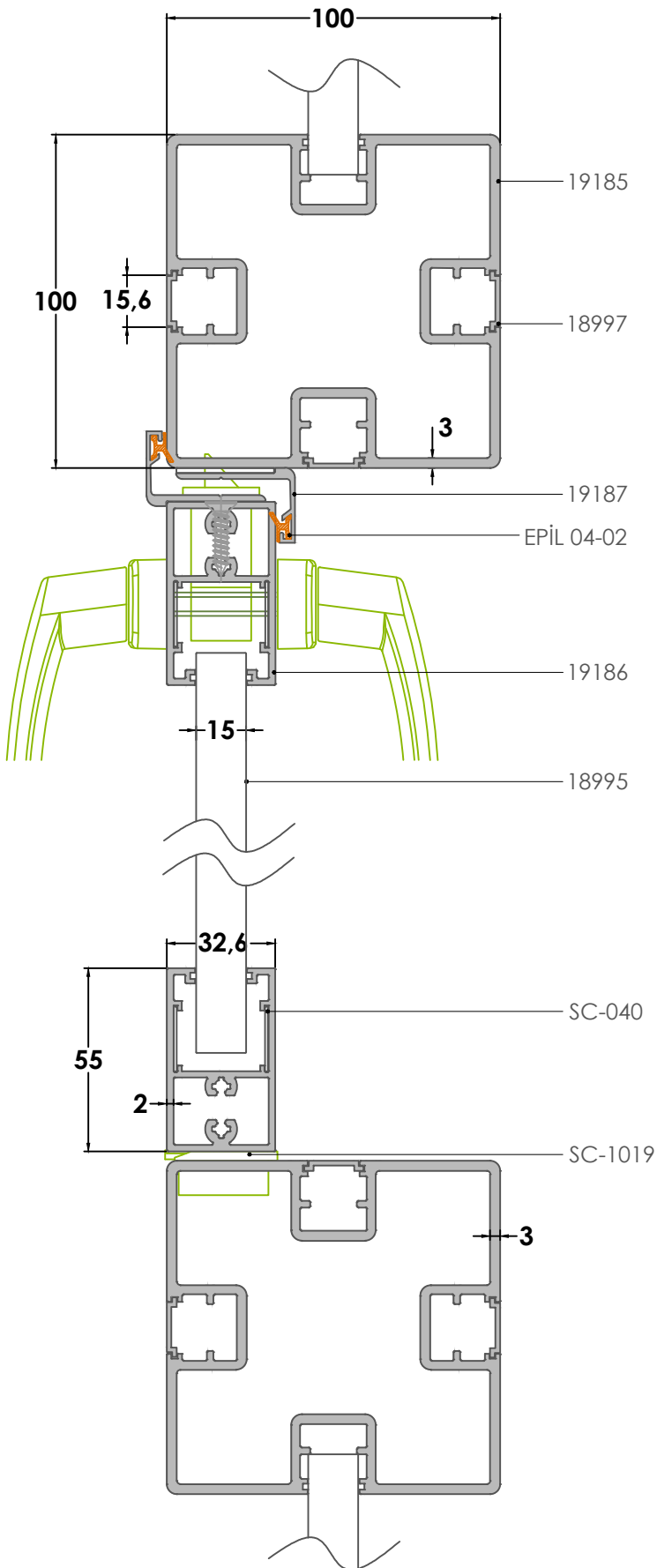


12
Detay-Detail

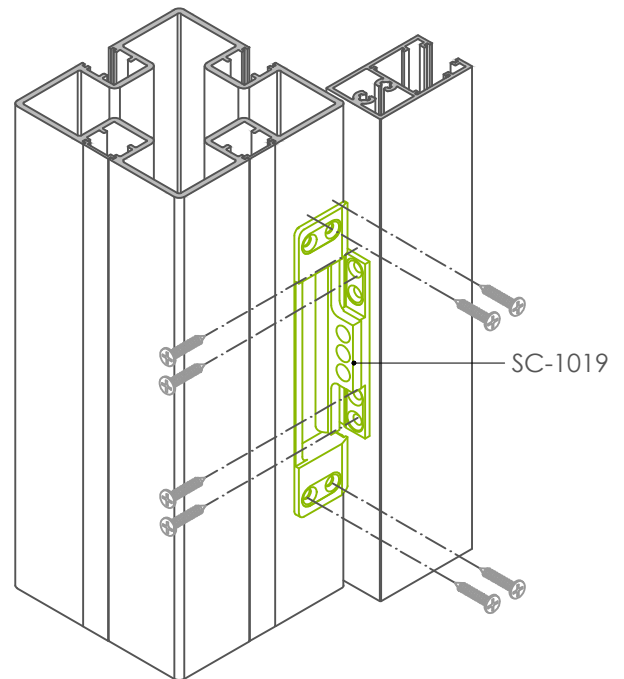


13
Detay-Detail

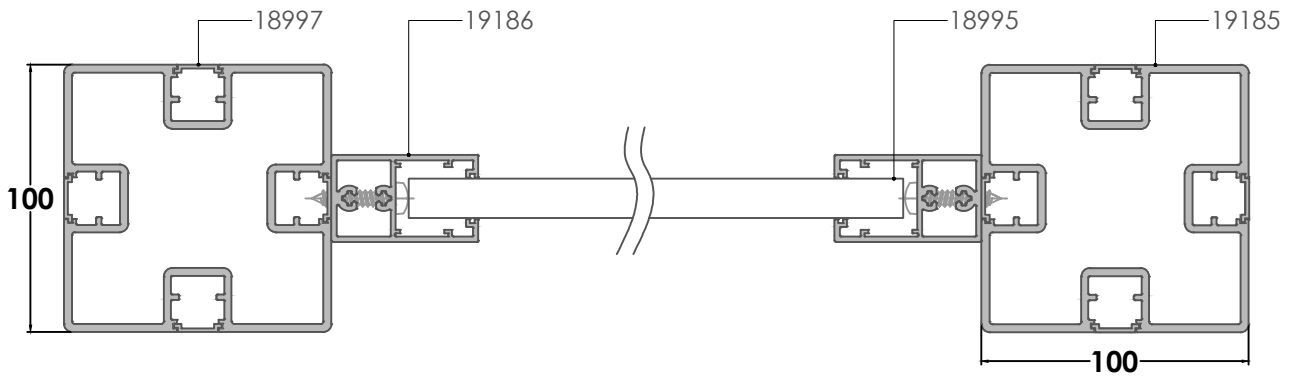
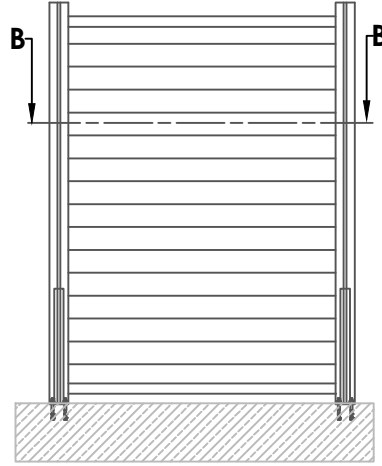


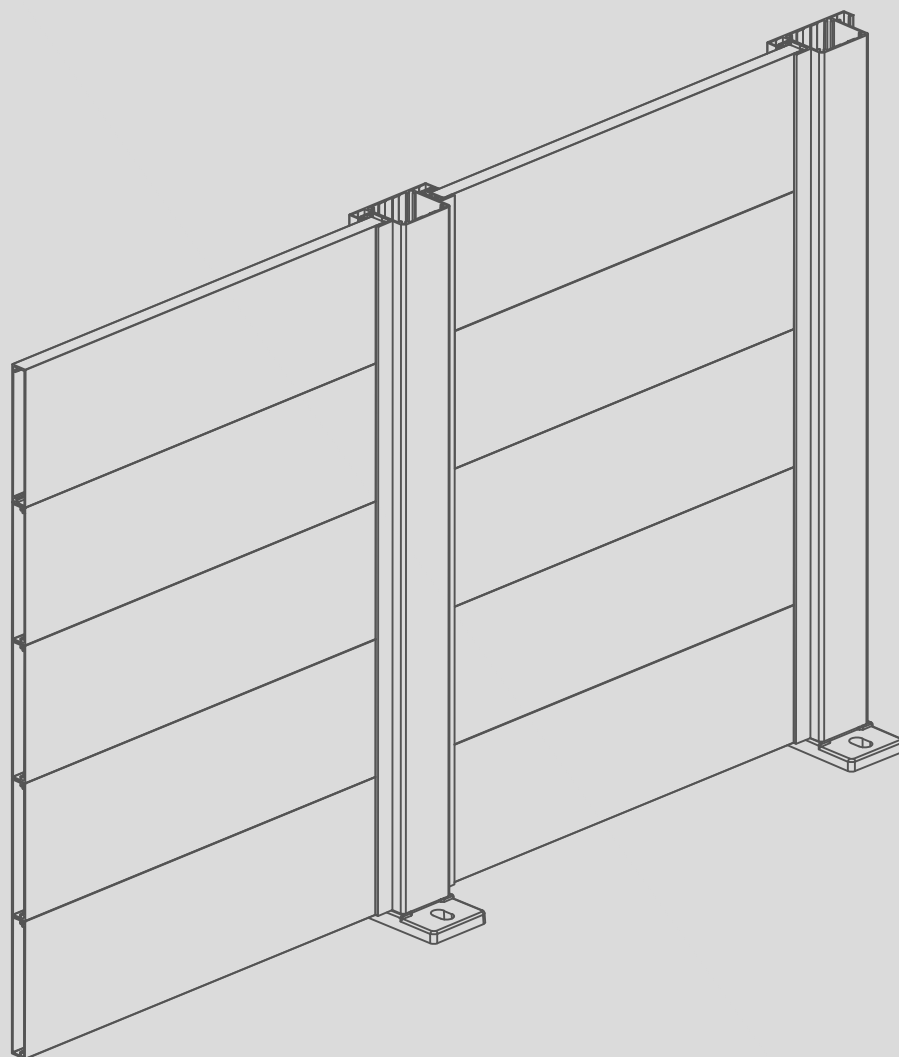


14
Detail-Detail



B
Detay-Detail





SF 100 MONTAJ

SF 100 ASSEMBLY

